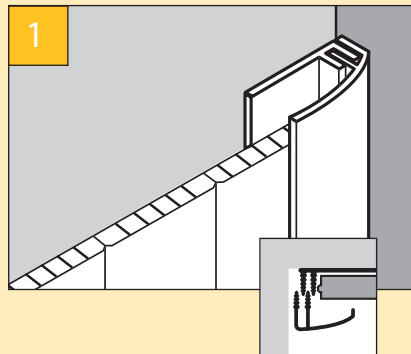


Trims

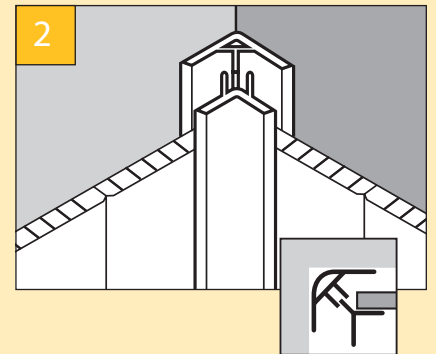
A large choice of trims enable you to put the finishing touch to your wall or ceiling cladding in a stylish fashion.

Our 10mm trims are ideal for the installation of our 10mm and 8mm thick panels since they consist of two pieces. The trims are easy to take apart. The first part of the trim can be positioned on the wall or ceiling; then the panel is positioned, and the remaining part of the trim is then clicked into place.



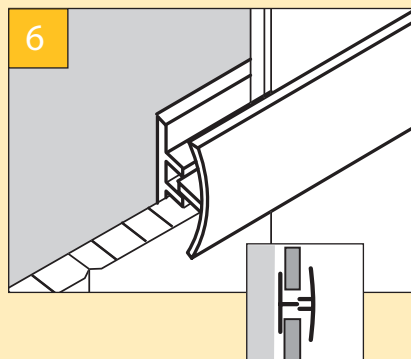
Start Trim

An end rail makes it possible to fit the panelling flush with the wall or ceiling. The first panel is best fitted into the end rail with a trimmed tongue side.



Universal Corner

Inside and outside corners can easily be finished with a universal corner rail, which is fitted before the panelling is applied



H-Trim

The panelling can be extended lengthwise by means of this special decorative joint.

For the 5mm panels, separate 5mm trims are available:

- Two-piece trim: universal corner (2)
- One-piece trims: start trim (1), crown moulding (3) and H-trim (6)