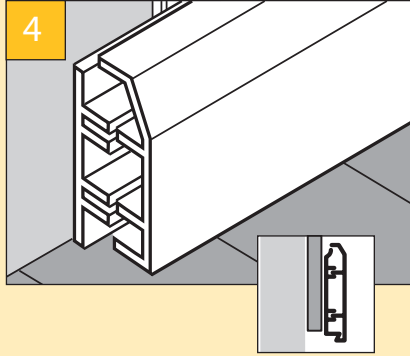


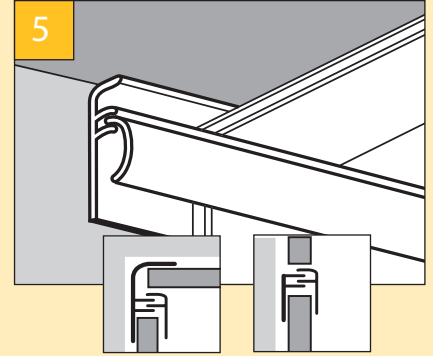
Decorative Crown Moulding

These special ceiling rails are used for finishing the ceilings after the panelling has been fitted and before the ceiling covering is applied.



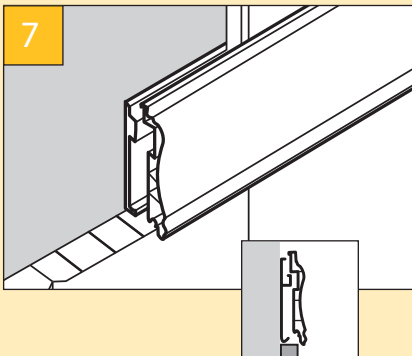
Skirting

Practical and attractive skirting boards conceal wiring and guarantee a perfect finish with the floor or wainscots.



Multifunctional Trim

A perfect finishing against a wall or ceiling can be obtained with this trim for horizontal and vertical cornering. It can also be used as a start trim.



Dado Rail

Use this trim to achieve a decorative wainscoting effect