

Decorative Wall and Ceiling Cladding



Contents

Dumaplast	2
Duma-Pan	2-3
Walls and Ceilings	6-7
BASIC Range	
- Basic	
- White High Gloss	
- Wood	
Walls	8-11
CLASS Range	8-9
- 25cm V-groove	
- 25cm Seamless	
BUDGET Range	10-11
- 25cm – Seamless budget	
- 37.5cm – V-groove	
Trims	12-13
Installation	14-15

Dumaplast

Dumaplast is a leading manufacturer and supplier of PVC cladding in Europe and beyond. A varied product range is produced across Europe. The head offices are situated in Belgium.

Duma-Pan

PVC panels provide an efficient and stylish finish for walls and ceilings throughout the house. The high quality panels are easy to install by both DIYers and professionals alike. Their water resistant qualities make Duma-Pan panels a durable cladding for walls and

ceilings, particularly in damp areas such as the bathroom, toilet, kitchen, garage, etc. The panels will neither delaminate nor absorb water. Naturally, Duma-Pan can also be used elsewhere in the house.



Duma-Pan panels have a higher fire safety rating than wood or other wood fibre products. The uniquely finished Dumaplast panels are resistant to colour change or fading.



The 9 Advantages: a Checklist...

- Easy and fast to install
- Water resistant
- Colour fast
- Washable
- Light
- Minimum of tools required
- 5 year guarantee
- 100% recyclable
- Fire certificate



Plus...

- No further finishing required
- For walls and ceilings
- For use throughout the house
- Easy maintenance
- Hygienic
- Attractive
- Durable
- Professional use

- Traditional and modern designs
- Various panel types



Alba grey and Inari grey

Walls and Ceilings



Basic white matt

• BASIC Range •

The basic Duma-Pan range is available in various lengths (2,6m – 4m – 6m) and widths (10cm - 25cm – 37.5cm). These different measurements make it possible to use the panels for ceilings or high walls. These Duma-Pan ceiling panels are avail-

able in matt or high gloss cream white; there are also a series of wood decors for a stylish and smart ceiling effect.



Wood



White Highgloss



Elegant and Durable

• CLASS Range •

Duma-Pan panels are quick and easy to install. Once installed, our panels are hardwearing and durable, needing only an occasional wipe down with soap and water to maintain that new look and feel. In contrast to wood and wood products, Dumaplast panels will not warp, crack or delaminate.

Our wide range of panels in a standard size of 25cm by 2.6m, are simple to fit with a tongue-and-groove system. The seamless joints make for a perfect finish for the walls. A few colours are supplied with an alternative V-groove joint.



Romano beige seamless





Marco Polo yellow and blue seamless

For Every Budget



Provence blue V-groove

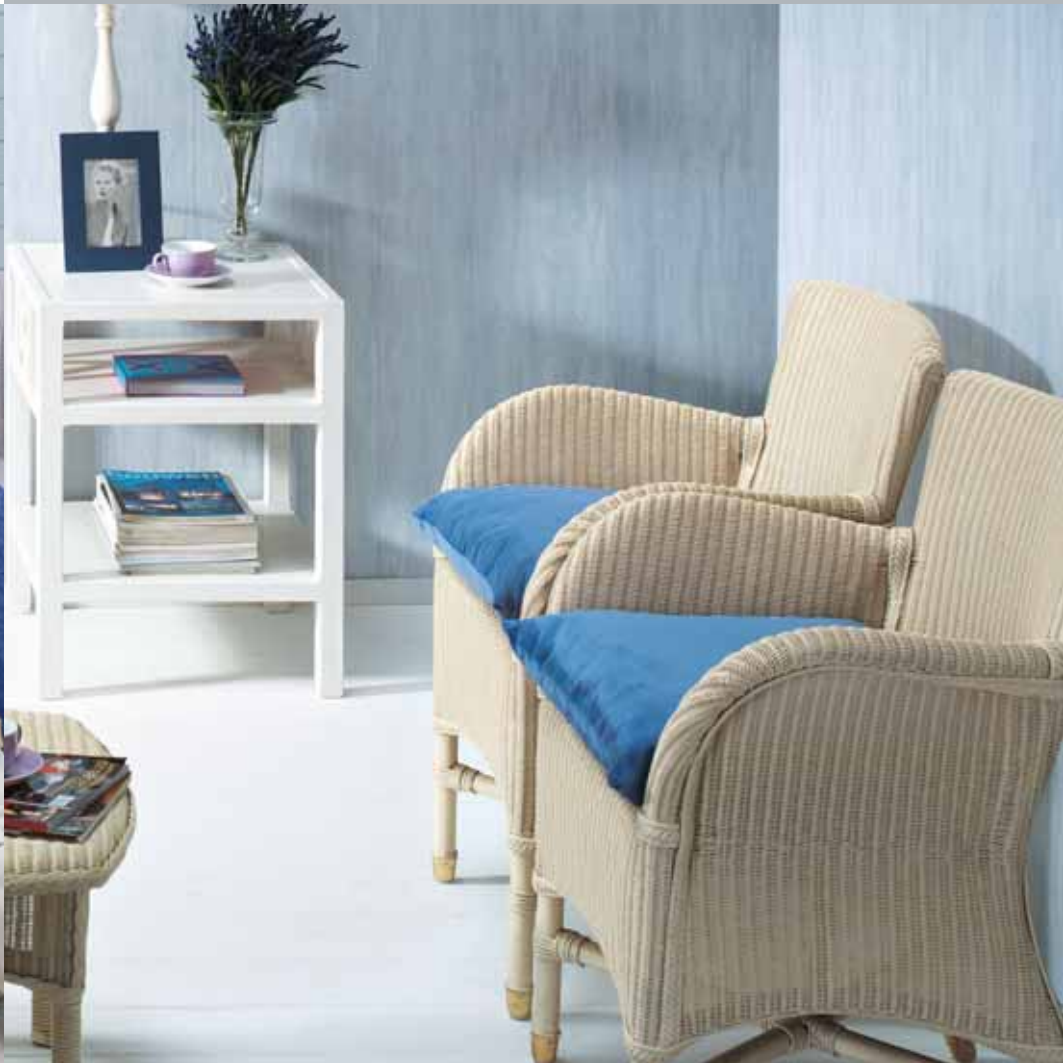


• BUDGET Range •

Without any loss of the high quality of our panels, there is also a range that offers an economical alternative to the standard range. By varying the standard thickness and refining the production process we can offer a range of different decors to suit every budget.

There are two types :

- 25cm wide panels,
5mm thick
- 37.5cm wide panels,
8mm thick

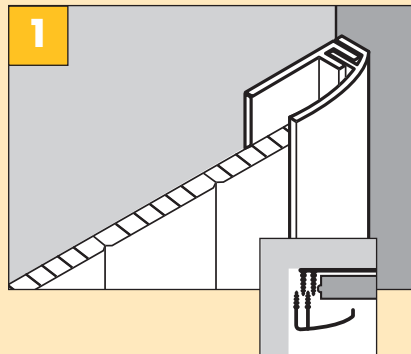


Patina blue

Trims

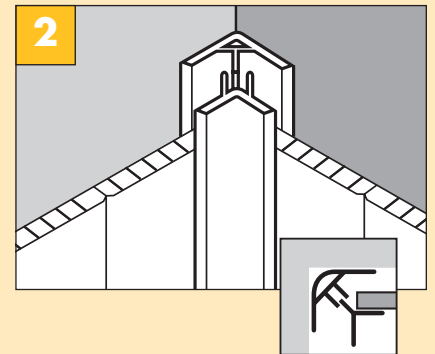
A large choice of trims enable you to put the finishing touch to your wall or ceiling cladding in a stylish fashion.

Our 10mm trims are ideal for the installation of our 10mm and 8mm thick panels since they consist of two pieces. The trims are easy to take apart. The first part of the trim can be positioned on the wall or ceiling; then the panel is positioned, and the remaining part of the trim is then clicked into place.



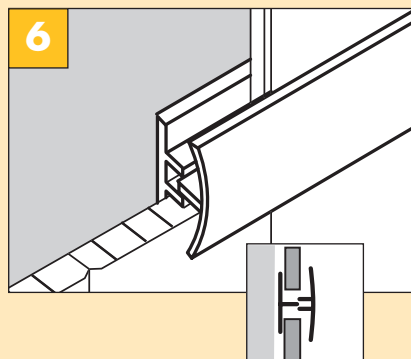
Start Trim

An end rail makes it possible to fit the panelling flush with the wall or ceiling. The first panel is best fitted into the end rail with a trimmed tongue side.



Universal Corner

Inside and outside corners can easily be finished with a universal corner rail, which is fitted before the panelling is applied.

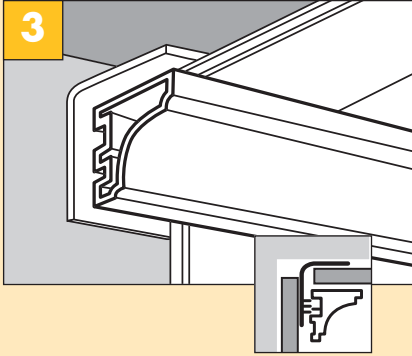


H-Trim

The panelling can be extended lengthwise by means of this special decorative joint.

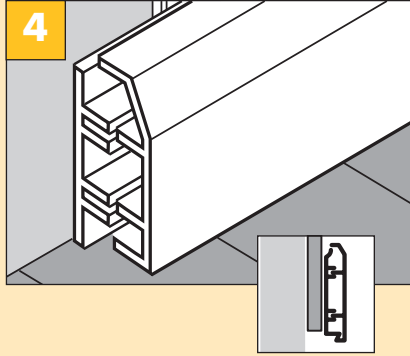
For the 5mm panels, separate 5mm trims are available:

- Two-piece trim: universal corner (2)
- One-piece trims: start trim (1), crown moulding (3) and H-trim (6)



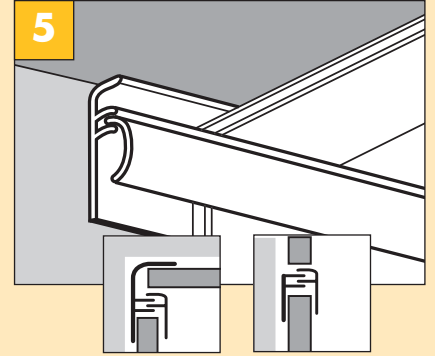
Decorative Crown Moulding

These special ceiling rails are used for finishing the ceilings after the panelling has been fitted and before the ceiling covering is applied.



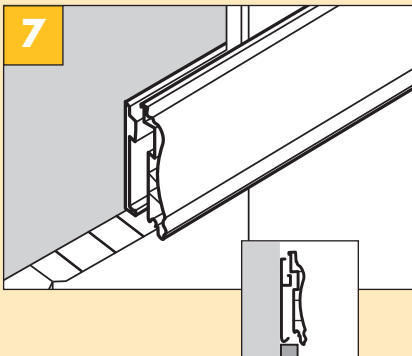
Skirting

Practical and attractive skirting boards conceal wiring and guarantee a perfect finish with the floor or wainscots.



Multifunctional Trim

A perfect finishing against a wall or ceiling can be obtained with this trim for horizontal and vertical cornering. It can also be used as a start trim.



Dado Rail

Use this trim to achieve a decorative wainscoting effect

Installation

Place a wooden framework on the wall to fix the panels. The distance between the wooden slats should be a maximum of 40cm amount for strength. On a smooth wall the panels can be glued directly to the base.

First fix the trims with screws, nails, staples or glue, and then position the panels in the trims. Then fix the panel at the edge and build a complete wall or ceiling. Finish with a trim.



Gloss

3 methods

- A** Nails/screws
- B** Staples
- C** Glue (smooth under-surface)





Alba grey and Inari grey



Provence yellow



B



C

DUMA-PAN[®]



 **dumaplast[®]**
extrusion

www.dumaplast.com